

## USER'S MANUAL



### Need Assistance?

As a manufacturer, we are committed to providing complete customer satisfaction.

If you have questions, or if a part is damaged or missing, follow the directions below based on your location:

#### For U.S. and Canadian Customers:

DO NOT CONTACT THE RETAILER.

Instead call us toll free at:

**1-877-793-2198**

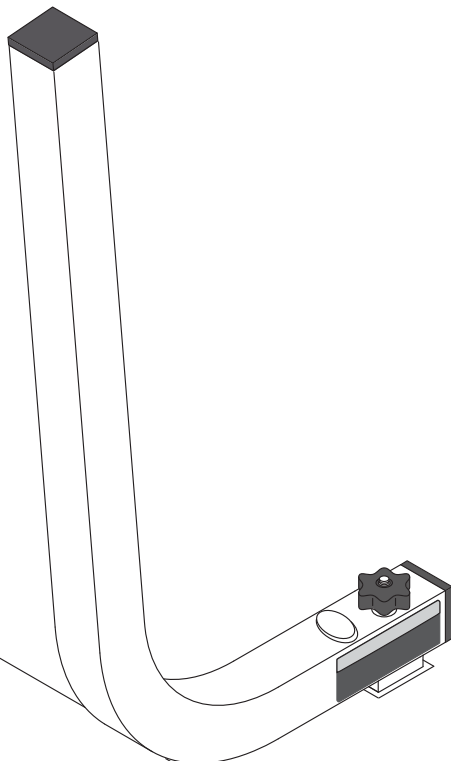
Monday - Friday, 8:00 am to 5:00 pm  
(Mountain Standard Time)

For customers outside the U.S.  
and Canada:

Contact the retailer for assistance.

### **⚠ WARNING:**

**To ensure your safety, do not attempt to install this system without reading and following all instructions. Please read all precautions in this user's manual and the product user's manuals before using this equipment. Failure to comply may result in serious injury or death. Keep this manual for future reference.**



PART NO. SSSMB-20A

## IN-DECK BASE

*For use with the QuikFire™ (and QuikFire™ Pro) Pool Basketball Hoops, QuikSpike™ Pool Volleyball Set, and the Pool-Up Bar .*

[WWW.SWIMSHAPEFITNESS.COM](http://WWW.SWIMSHAPEFITNESS.COM)

---

# CONTENTS

Introduction..... 1  
Important Precautions..... 2  
Part Identification..... 3  
Installation..... 4  
Mounting and Removing the Base..... 8  
Proper Care and Maintenance..... 9  
Limited Warranty..... 10

---

# INTRODUCTION

Thanks for purchasing a quality SwimShape pool sports and fitness product. The In-Deck (Sleeve-Mounted) Base is the mechanism installed on the deck of the pool that allows you to attach and use the QuikFire (and QuikFire Pro) Pool Basketball Hoops, QuikSpike Pool Volleyball Set, and the Pool-Up Bar.

For your benefit, read this manual carefully before using or installing the In-Deck Base. If you have questions after reading this manual, please call the toll-free number on the front cover.

# IMPORTANT PRECAUTIONS

**⚠ WARNING:** To ensure your safety, please review and adhere to the following important warnings and pre-cautions. Failure to do so may lead to serious injury or even death.

Read this manual in its entirety before installing or using the In-Deck Base.

It is the responsibility of the owner to ensure that all users are informed of all pre-cautions.

The In-Deck Base is intended for use with the following SwimShape products only:

- QuikFire and QuikFire Pro Pool Basketball Hoops
- QuikSpike Pool Volleyball Set
- Pool-Up Bar

Use of this product with any other product or device can result in serious injury or death.

If installing this product for use with QuikFire Pool Basketball Hoop, QuikFire Pro Pool Basketball Hoop, or QuikSpike Pool Volleyball Set, then install in the shallow end of the pool.

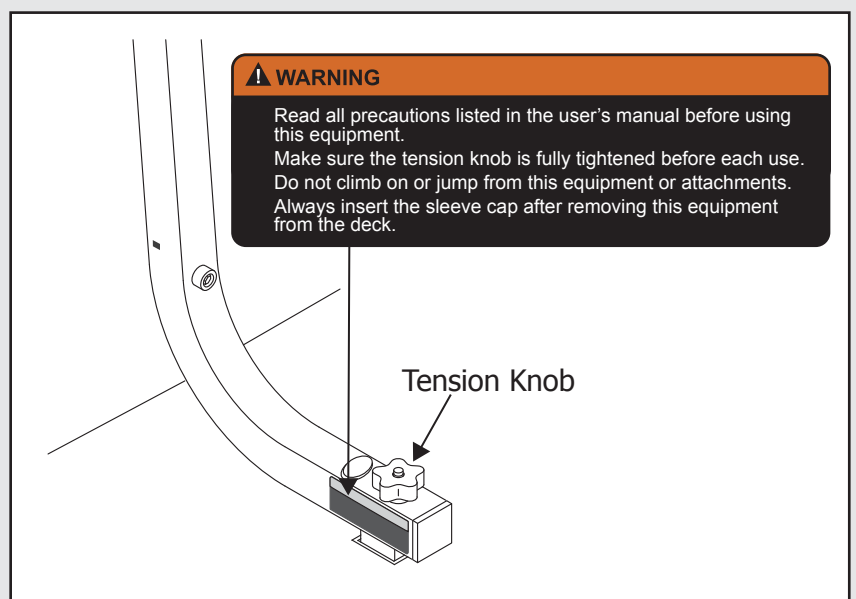
This product was designed for residential in ground pool use only. Use of this product on a commercial or above ground pool may result in serious injury or death.

Always insert the Anchor Cap into the Anchor (Sleeve) after removing the Base (see page 3 to identify these parts).

Remove any accessory (QuikFire or QuikFire Pro Pool Basketball Hoop, QuikSpike Pool Volleyball Set, or Pool-Up Bar) from the Base before attempting to mount or remove the Base from the Anchor. Failure to do so can result in serious injury or death. Refer to page 3 to identify these parts.

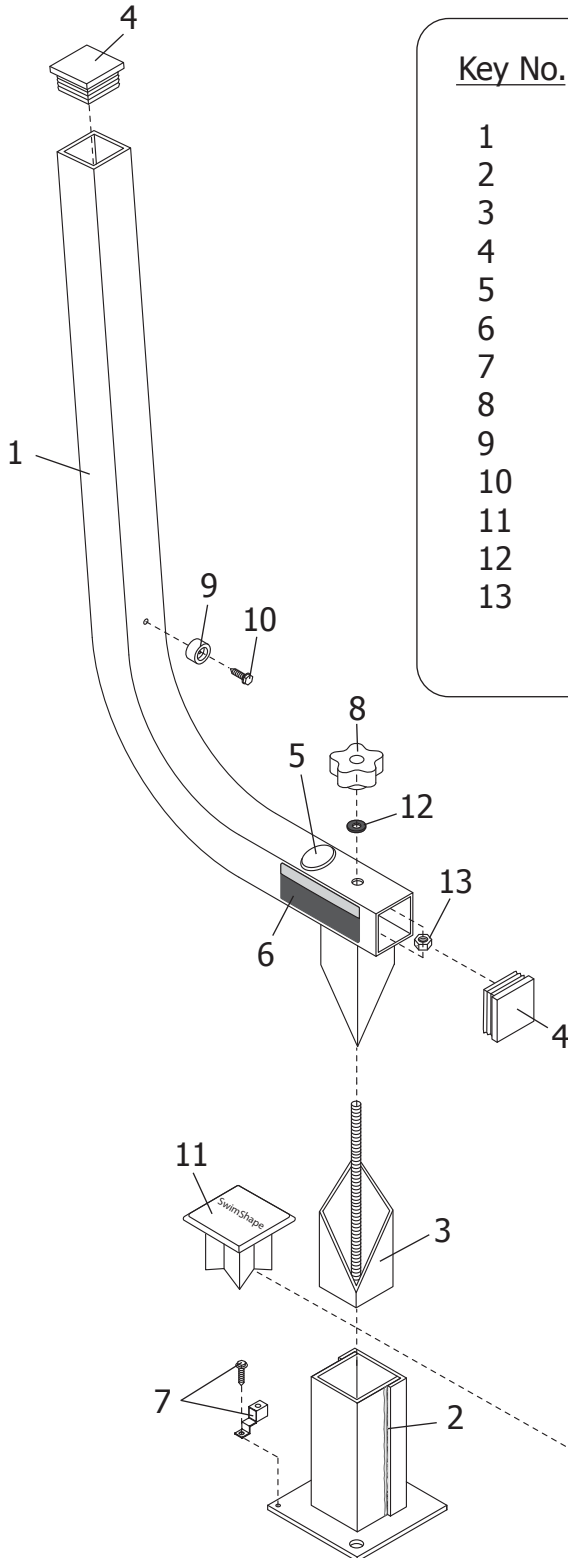
Each time before use, make sure the Tension Knob (shown in drawing to the right) is fully tightened.

The warning sticker (shown in drawing to the right) has been placed on the In-Deck Base. If the sticker is missing or illegible, call the toll-free telephone number on the front cover of this manual and order a free replacement sticker. Apply the sticker in the location shown.



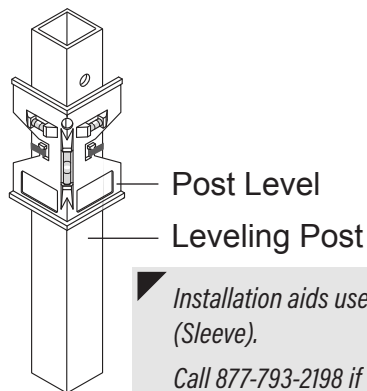
# PART IDENTIFICATION

Use the information on this page to identify each part included with the In-Deck Base (part no. SSSMB-020A). If a part is damaged or missing, call the customer service number on the front cover of this manual to receive a replacement part.



Key No.	Description	Qty.
1	Base	1
2	Anchor (Sleeve)*	1
3	Anchor Insert	1
4	2" End Cap	2
5	Chrome Decal	1
6	Warning Sticker	1
7	Grounding Lug (screw included)*	1
8	Tension Knob	1
9	Rubber Bumper	1
10	Bumper Screw	1
11	Anchor (Sleeve) Cap*	1
12	Rubber Washer	1
13	Retainer Nut	1

\* Anchor and Cap may be packaged separately.



Installation aids used to install the Anchor (Sleeve).  
Call 877-793-2198 if you did not receive these items with your order.

# INSTALLATION

This section details the process of installing the In-Deck Anchor (sleeve) on a new pool being constructed. The In-Deck Anchor provided by SwimShape is a proprietary design used only with SwimShape pool sports and fitness products.

**Important:** Please read and adhere to all guidelines and instructions before attempting to install the anchor. SwimShape LLC is not responsible for improper installation of the anchor.

- It is the responsibility of the installer to ensure that the anchor is installed in accordance with all local building codes, including any grounding or bonding requirements.
- Contact your local building inspector for details of any grounding requirements in your area.
- The anchor is designed to install in concrete or cement surfaces. Do not install on any other surface type.

1. Determine the location on the pool where you want to install the anchor(s). Refer to the following guidelines and FIGURE 1.

- **Basketball (QuikFire & QuikFire Pro):** Install the anchor in a location where the water is shallow and players can stand with their heads and shoulder out of the water.
- **Volleyball (QuikSpike):** Install the anchors in a location where the players on both sides of the net are able to stand with their heads above the surface of the water. The anchors should be installed directly across the pool from one another at the location where you want the net to span across the pool.
- **Exercise (Pool-Up Bar):** Install the anchor in a location where the water depth is at least neck high. If installed in more shallow water, the user may have to bend their knees while performing some of the conditioning activities.

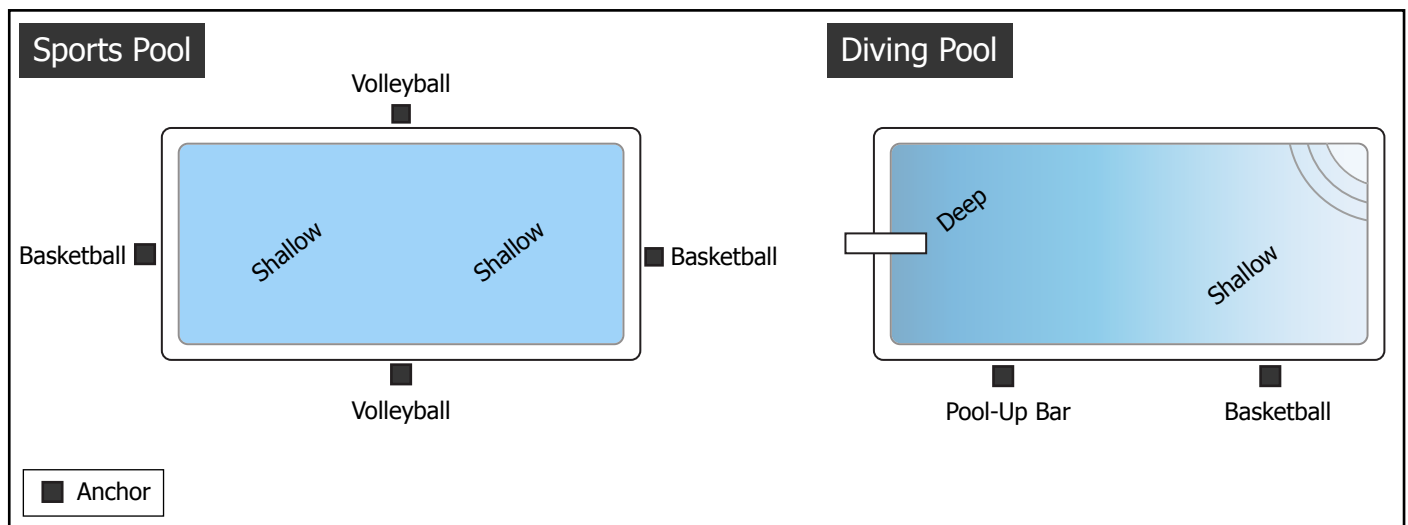


FIGURE 1: ANCHOR LOCATION BASED ON PRODUCT

2. Determine the setback (distance from the pool water's edge) to install the anchor. Refer to TABLE 1.

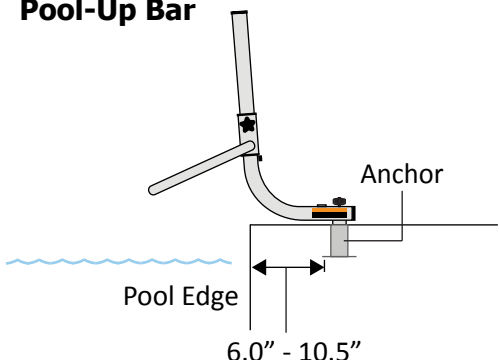
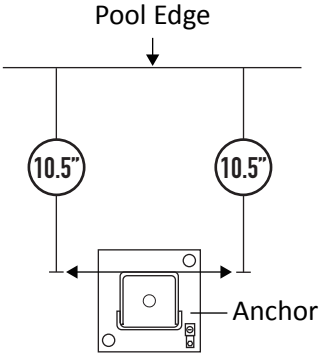
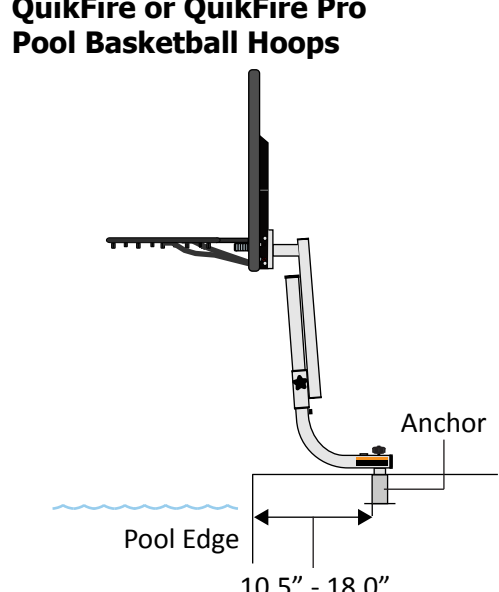
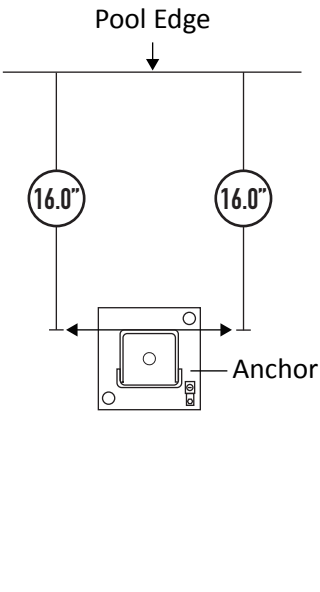
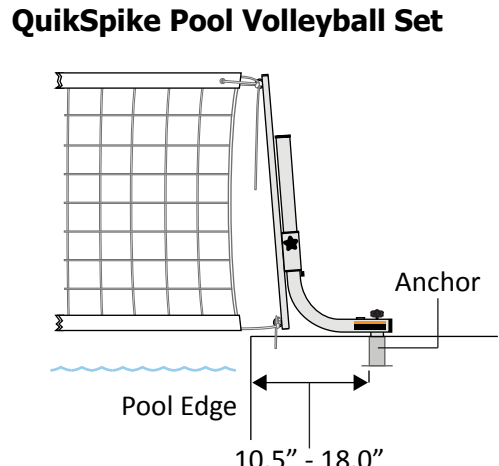
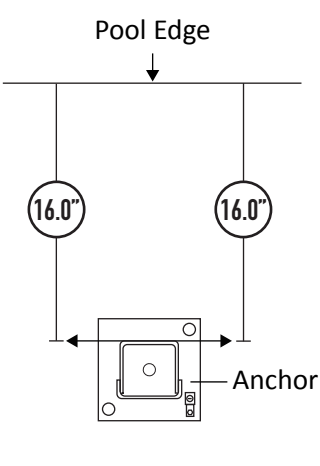
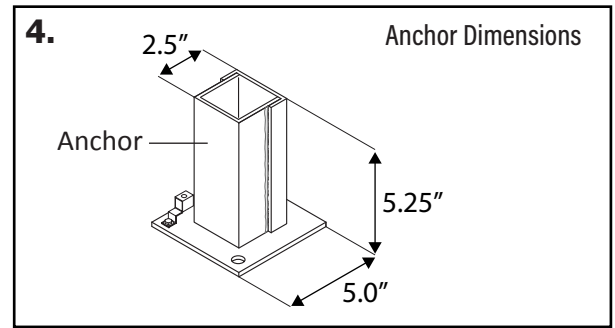
PRODUCT	RECOMMENDED SETBACK	SETBACK RANGE
<p><b>Pool-Up Bar</b></p>  <p>Pool Edge</p> <p>Anchor</p> <p>6.0" - 10.5"</p>	<p>Pool Edge</p>  <p>10.5"</p> <p>10.5"</p> <p>Anchor</p>	<p><b>6.0 inches to 10.5 inches</b></p> <p><b>i</b> Maximum setback from the pool edge is 10.5" if anchor is being installed for use with the Pool-Up Bar.</p>
<p><b>QuikFire or QuikFire Pro Pool Basketball Hoops</b></p>  <p>Pool Edge</p> <p>Anchor</p> <p>10.5" - 18.0"</p>	<p>Pool Edge</p>  <p>16.0"</p> <p>16.0"</p> <p>Anchor</p>	<p><b>10.5 inches to 18.0 inches</b></p> <p><b>i</b> The front of backboard is even with the pool edge when the setback of the anchor is approximately 19.0 inches from the pool edge.</p>
<p><b>QuikSpike Pool Volleyball Set</b></p>  <p>Pool Edge</p> <p>Anchor</p> <p>10.5" - 18.0"</p>	<p>Pool Edge</p>  <p>16.0"</p> <p>16.0"</p> <p>Anchor</p>	<p><b>10.5 inches to 18.0 inches</b></p> <p><b>i</b> A setback of 16 inches will allow the volleyball net to span a pool width of 20 feet.</p>

TABLE 1: ANCHOR SETBACK BASED ON PRODUCT

3. After determining the location and setback for the anchor, prepare the surface of the ground where the anchor will be installed so that it is flat and level.

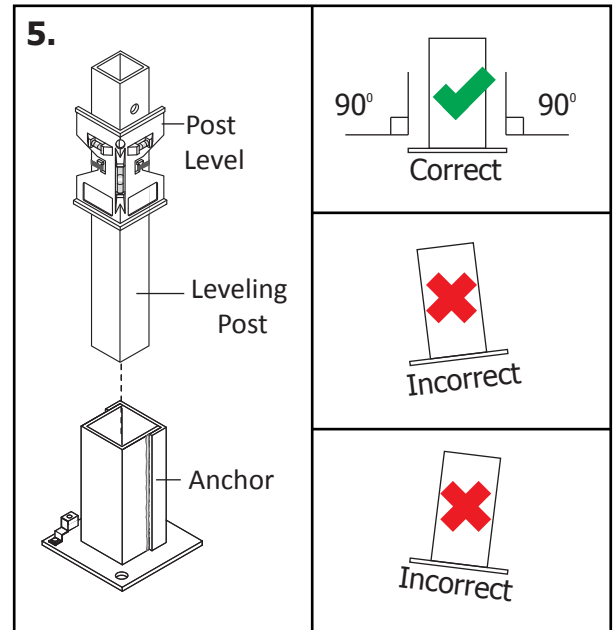
4. Set the depth of the Anchor so that after the concrete is poured, the top of the anchor will be flush with the deck's surface.



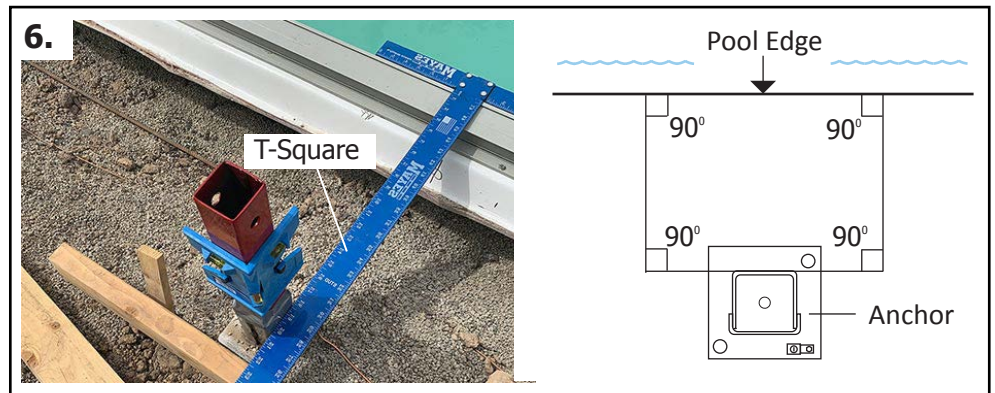
5. Insert the red Leveling Post (with the post level attached) into the Anchor and vertically orient the Anchor so it is straight up and down at a 90 degrees angle from the level ground.

The leveling post and post level serve the following purposes:

- Makes it easier to get the anchor level and visually verify that the anchor remains level until after the concrete is poured.
- Makes the Anchor more visible to the workers pouring the deck so they do not accidentally bump or move it.
- Helps to prevent concrete from getting into the sleeve when the deck is poured.

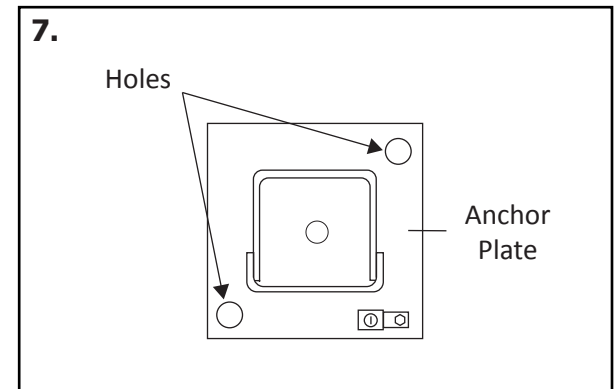


6. Using a T-Square or a similar device, orient the anchor so that it is square with the pool edge.

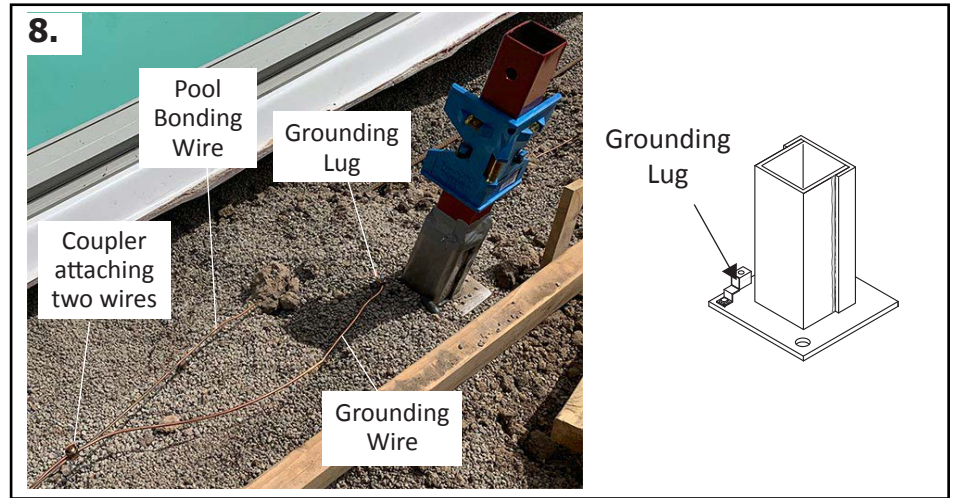


7. To help prevent the anchor from shifting or moving when pouring the deck, you can use rebar or ground stakes to secure the anchor in place.

The two holes in the Anchor Plate can be utilized for this purpose.



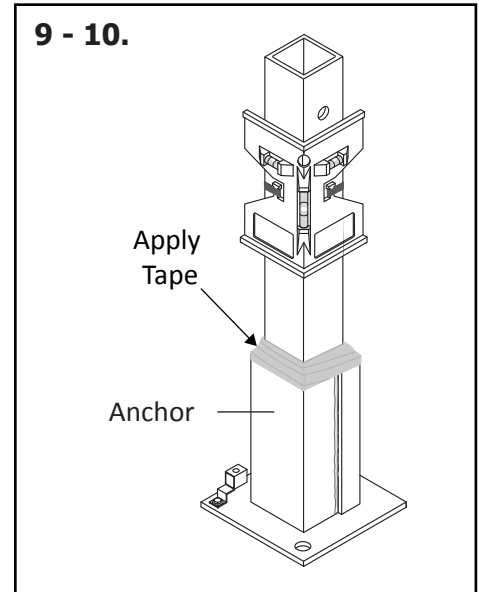
8. Bond the anchor according to local building codes using the Grounding Lug and appropriate copper grounding wire.



9. Before the concrete is poured, do the following:

- Using duct or masking tape, tape around the top edge of the Anchor. This will prevent any concrete from getting into the anchor during the pour.
- Conduct a check to ensure the Anchor is still square with the edge of the pool (see step 6) and vertically oriented straight up and down (see step 5). Adjust as necessary.

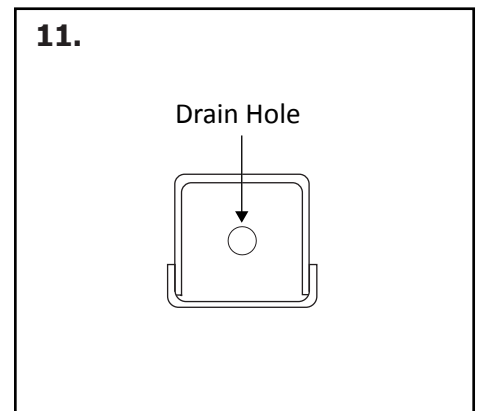
10. **While the concrete is being poured, visually inspect the anchor and post level to make sure it remains square with the edge of the pool and is level. Adjust if necessary.**



11. Once the concrete is dry and ready to walk on, remove the post and post level from the anchor.

Use a hammer and a screwdriver to open the drain hole in the bottom of the anchor. Place the end of the screw driver into the drain hole and tap it several times.

This will allow water to drain from the anchor and protect the insert from corrosion.



**i Post Installation Notes:**

- Provide this manual to the pool owner once installation is complete.
- Remove the leveling post and retain for future installations.
- Do not use the Anchor until the concrete is fully cured.



# MOUNTING AND REMOVING THE BASE

This section describes how to mount the Base into the Anchor (Sleeve) and how to remove the Base from the Anchor.

**⚠ WARNING: Remove any product (QuikFire (or QuikFire Pro) Pool Basketball Hoop, QuikSpike Pool Volleyball Set, or Pool-Up Bar) from the Base before attempting to mount or remove the Base from the Anchor. Failure to do so can result in serious injury or death. Refer to the product manual for instructions on removing the product from the Base.**

## To mount the Base in the Anchor:

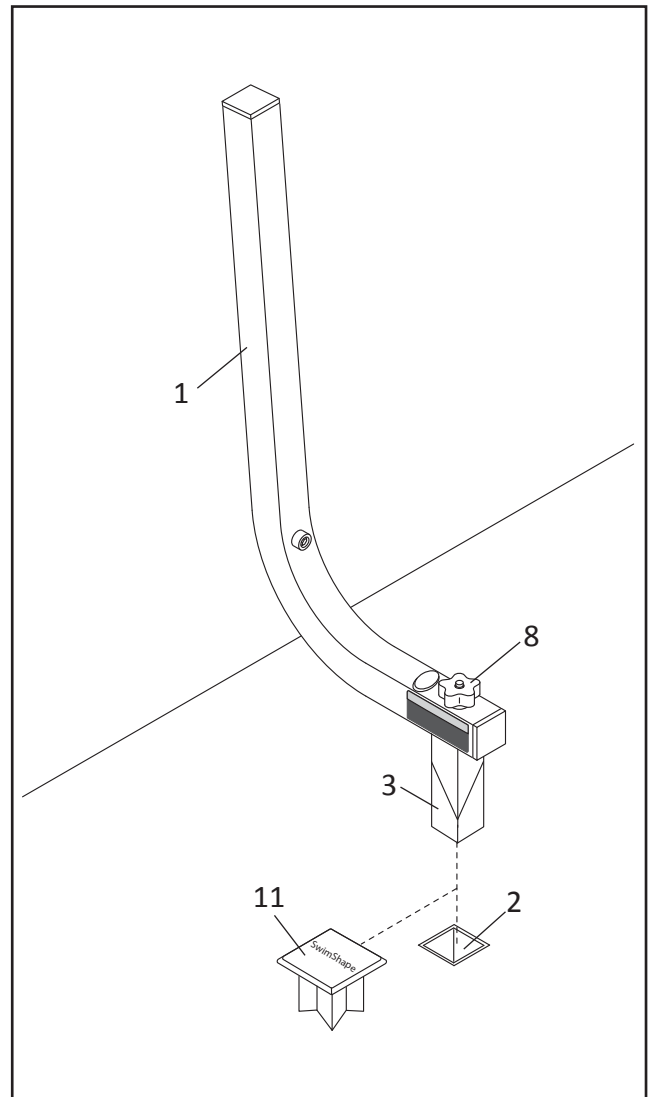
1. Loosen the Tension Knob (8) by turning it counter-clockwise.
2. Fully insert the Anchor Insert (3) into the Anchor (2).
3. Firmly tighten the Tension Knob (8) by turning it clockwise.

## To remove the Base from the Anchor:

1. (Conditional) Remove any attached product from the Base (1).
2. Loosen the Tension Knob (8).
3. Lift up on the Base (1) until the Anchor Insert (3) is clear of the Anchor (2).

**i** If the Base does not remove easily, firmly tap down on the Tension Knob to break apart the wedge on the Anchor Insert (3).

4. After setting the Base (1) aside, insert the Anchor Cap (11).



---

# PROPER CARE AND MAINTENANCE

SwimShape has designed and engineered its pool sports and fitness products to provide years of use and enjoyment. Properly maintaining and caring for your product is required to maintain the appearance of the equipment and to prevent rust and corrosion.

SwimShape uses both powder-coated steel and stainless steel in the construction of its pool sports and fitness products. Over time, the sun, water, chlorine, salt, and other contaminants can damage the powder coating protecting the base metals. This will result in rust. For this reason, we recommend that you take the following actions:

- 1.** Periodically wipe down the product with a sponge or rag and a small concentration of dish soap mixed with water. This will help remove harmful contaminants, thereby extending the life of the powder coating. If necessary, you can use mild cleansers like Windex® or Formula 409®. Do not use abrasive cloths or cleansers as they can damage the powder coating.
- 2.** Regularly inspect the powder-coating surfaces and look for scratches or signs of rust or corrosion. Weld seams, crevices, and the surfaces beneath end caps and slider bushings are particularly vulnerable to corrosion as they can trap water.
- 3.** (Conditional) If scratches or signs of corrosion are discovered during inspection of the product, it is recommended that you touch up the affected areas to prevent rust damage. Be sure to remove end caps or bushings before applying the touch up paint to those areas. Touch up paint can be ordered from your local dealer or picked up from your local hardware store or paint supply store. The color code for the powder coating is: RAL 7001 Silver Gray.
- 4.** During the offseason when the equipment is not in use, it is recommended that you remove it and store it in a location out of the weather.
  - a.** If your product was installed using a Anchor, make sure and insert the Anchor cap into the Anchor after removing the equipment from the deck.
  - b.** If your product was installed using drop-in anchors, make sure and seal the openings in the drop-in anchors with marine grease after removing the equipment from the deck. This will help protect the threads and extend the life of the anchors. Marine grease can be purchased from your local hardware store or marine supply store.
- 5.** Make sure that the warning stickers are well-maintained and readable. Replacement warning stickers can be obtained upon request by calling 877-793-2198.

---

## LIMITED WARRANTY

SwimShape, LLC (SwimShape) guarantees its products to be free of defects in workmanship, under normal use and service conditions, for a period three (3) years from the date of retail purchase. This limited warranty extends to the original purchaser (product owner) only and is not transferable to subsequent owners or consumers of the product.

SwimShape's obligation under this warranty is to repair or replace, at its option, any of its products should they fail during the warranty period because of defects in workmanship or material. The word "defects" is defined as imperfections that impair the use of the products. This limited warranty does not cover damage caused by rusting, "acts of nature" or any other event beyond the control of the manufacturer.

SwimShape disclaims all responsibility or liability for its products if they have been repaired, altered, improperly installed, or subject to improper use. This limited warranty expressly does not cover any material or property damage resulting from installation of any and all SwimShape products, or labor or re-installation expenses related to the replacement of SwimShape products.

This limited warranty only applies to residential (single family) installations of SwimShape products. SwimShape expressly disclaims any liability or warranty claims resulting from public, semi-public, or commercial installations of its products. To the extent permitted by law, SwimShape disclaims all liability for indirect, special or consequential damages arising out of or in connection with the use or performance of its products or damages with respect to any economic loss, loss of revenues or profits, loss of enjoyment or use, costs of removal or installation, or other consequential damages regardless of nature.

While every attempt is made to embody the highest degree of safety in our products, SwimShape cannot guarantee freedom from injury. The user assumes all risk of injury (or death) resulting from the use of this product. All SwimShape products are sold on this condition, and no representative of the company are authorized to waive or change this policy. Under no circumstances shall SwimShape be liable for more than the total amount paid to SwimShape by the purchaser of the defective or damaged product.

No other warranty beyond that specifically set forth above is authorized by SwimShape. SwimShape, nor any representative assumes any other liability in connection with this product.

### **Submitting a Warranty Claim**

To submit a warranty claim, the product owner (or representative) must notify SwimShape in writing or by sending an email to [warranty@swimshapefitness.com](mailto:warranty@swimshapefitness.com) or by sending a fax to (801) 315-8595. The notification should include the customer's contact information, the product model # or part #, the product serial number and/or proof of purchase, a description of the defect, the requested action (credit or replacement), and photos of the defect if necessary. A representative from SwimShape will then contact the customer to process the claim. SwimShape reserves the right to physically inspect the defective or damaged product or parts to determine a cause before authorizing a repair or replacement.

This warranty is subject to change without notice. Please visit [swimshapefitness.com](https://www.swimshapefitness.com) for the latest warranty information.



SWIMSHAPE, LLC  
2590 Commerce Way, # L  
Ogden, UT 84401  
TEL: (877) 793-2198  
FAX: (801) 315-8595  
EMAIL: [sales@swimshapefitness.com](mailto:sales@swimshapefitness.com)

*SwimShape Pool Sports and Fitness products are proudly manufactured in the USA.*